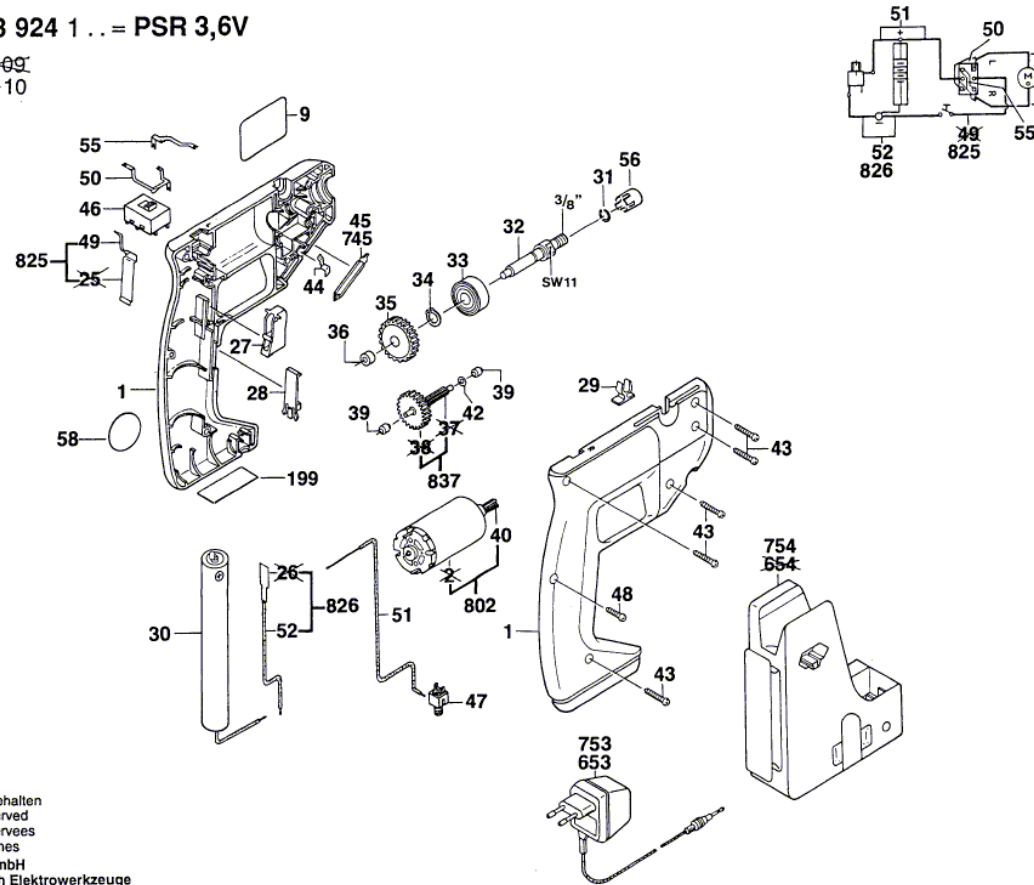


Typ 0 603 924 1 .. = PSR 3,6V

Stand 94-09  
Issue 94-10



Änderungen vorbehalten  
Modifications reserved  
Modificaciones reservadas  
Salvo modificaciones  
Robert Bosch GmbH  
Geschäftsbereich Elektrowerkzeuge  
70745 Leinfelden-Echterdingen

## Spare parts list

Item	Part Number	Description	Illustration
1	2 605 104 253	Housing Section GREEN	1
9	2 601 110 996	Sticker	1
27	2 603 231 012	Control Lever	1
28	2 601 099 010	Rejection Slide	1
29	2 608 040 029	Key Holder	1
30	2 607 335 007	Battery Set 3,6V, 1,2Ah, NiCd	1
31	2 604 601 004	Retaining ring	1
32	2 606 135 023	Drilling Spindle 1/2",SW13,1/4"	1
33	1 900 905 120	groove ball bearing 10x26x8	1
34	2 916 650 001	Spring retaining ring DIN 471-10x1MM-FSt	1
35	2 606 316 114	Cylindrical Gear Z=64	1
36	2 600 301 011	Sintered-Metal Bushing	1
39	2 600 302 002	Sintered-Metal Bushing	1
40	2 606 316 112	Pinion Z=11	1
42	2 600 100 636	Shim 0,3 MM THICK	1
43	2 603 435 023	Cross Recessed-Head Screw 3x17 MM	1
44	2 601 250 002	Holding Spring	1
46	2 607 200 214	Change-Over Switch	1
47	2 604 483 001	Socket	1
48	2 912 401 006	Tapping Screw DIN7981-ST2,9x13-C-Z	1
49	2 604 449 037	Connecting Cable	1
50	2 601 390 000	Bus Bar	1
51	2 604 413 014	Connecting Cable L=173 MM WHITE	1
52	2 604 413 013	Cable	1
55	2 601 390 001	Bus Bar	1
56	2 600 499 016	Protection Sleeve	1
58	2 601 110 999	Sticker	1
199	1 601 110 265	Reference Plate	1
745	1 608 521 004	Screwdriver Blade NR.2,1/4"	1
745	2 607 000 239	Screwdriver Blade	1
802	2 607 022 906	DC motor 3,6-4,8V	1
826	2 604 449 038	Elec. Cable W/Connection	1
837	2 606 100 913	Toothed Shaft Z=58/11	1